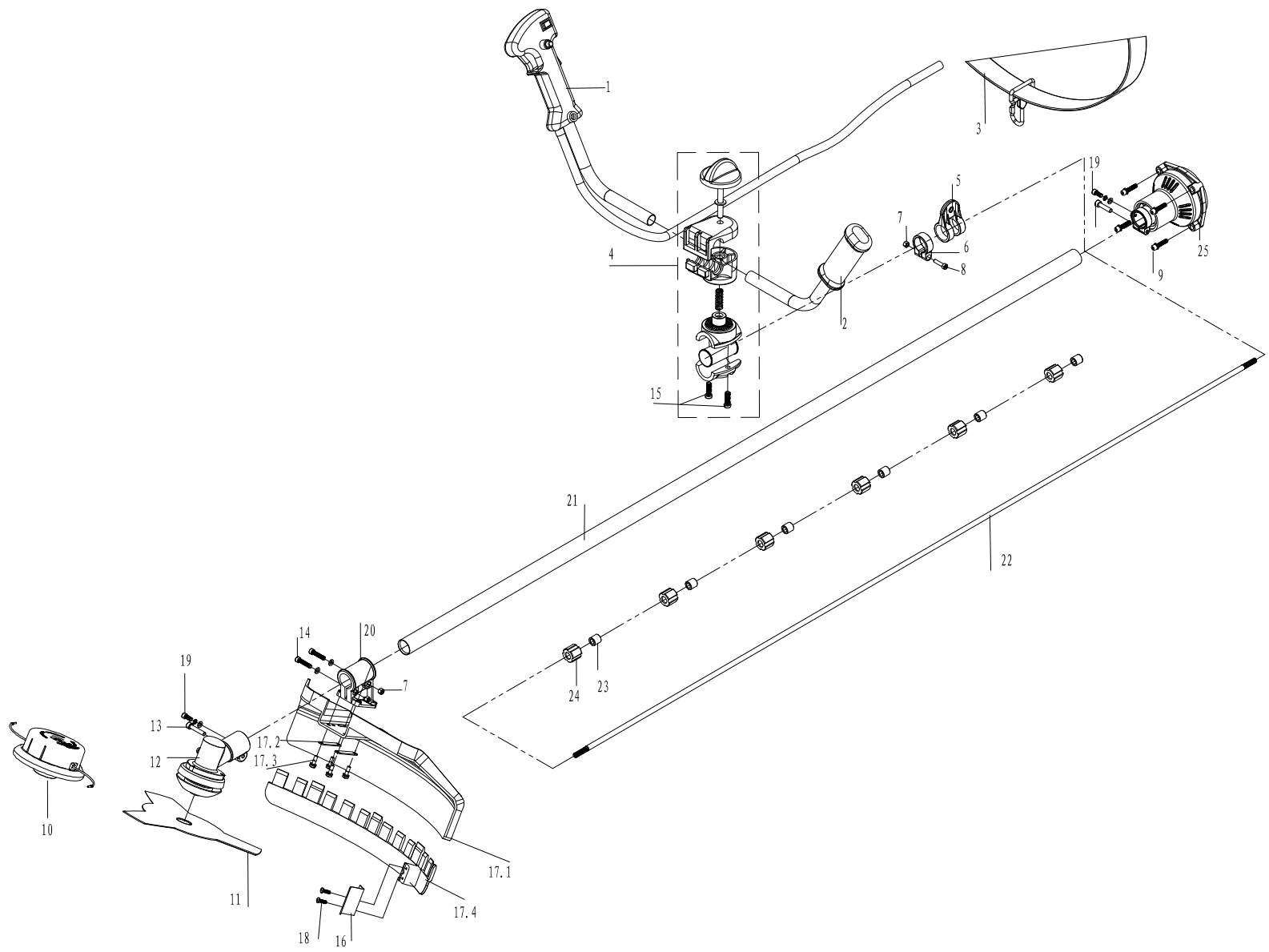


POS	QTY	PARTNUMBER	BESKRIVELSE	DESCRIPTION
1	2	423190	BOLT	SCREW AXES
2	2	423191	BØLGESKIVE 0.3X10.2X14.4	WAVE WASHER0.3X10.2X14.4
3	1	423192	KOBLING BCU33	CLUTCH
4	2	423193	SKIVE B	WASHER B
5	2	423176	SKRUE M5X12	M5X12 SCREW
6	16	423133	SKRUE M5X20	M5X20 SCREW
7	1	423228	SVINGHJULSHUS	FLY WHEEL COVER
8	4	423148	NOT B5X10	ROUND PIN B5X10
9	2	423196	MØTRIK M8	M8 NUT
10	2	423137	FJEDERSKIVE M8	SPRING WASHER 8
11	1	423138	SKIVE 8	FLAT WASHER 8
12	1	423229	SVINGHJUL	FLY WHEEL
13	1	423230	TÆNDSPOLE	IGNITION COIL
14	4	423140	SKRUE M5X30	M5X30 SCREW
15	1	423231	KRUMTAPHUS	FRONT-HALF CRANKSHAFT CASE
16	1	423232	PAKNING	CRANKSHAFT GASKET
17	1	423233	PAKDÅSE TC15X30X7	OIL SEAL TC15X30X7
18	2	423234	LEJE 6202/P6	BEARING 6202/P6
19	1	423145	NOT 3X5X13	HALF-ROUND KEY3X5X13
20	1	423235	KRUMTAP	CRANKSHAFT ASSY
21	1	423143	PAKDÅSE TC12X22X7	OIL SEAL TC12X22X7
22	1	423203	KRUMTAPHUS	BACK-HALF CRANKSHAFT CASE
23	1	423236	NÅLELEJE 10X13X15	"NEEDLE BEARING-SMALL HEAD ?KBK10X13X15.
24	1	423237	STEMPEL	PISTON
25	1	423238	KRYDSPIND	PISTON PIN
26	2	423239	STEMPELRING	PISTON RING
27	2	423240	LÅSERING	PISTON PIN CHECK RING
28	1	423241	PAKNING	CYLINDER GASKET
29	1	423242	CYLINDER 43CC	CYLINDER - 43CC EU2
30	1	423243	UDSTØDNINGSPAKNING	MUFFLER GASKET
31	1	423244	UDSTØDNING 43 DC	MUFFLER-EU 2 43 DC
32	1	423245	UDSTØDNINGSSKÆRM	MUFFLER COVER
33	2	419026	SKIVE M6	WASHER M6
34	2	419027	FJEDER M6	SPRING COLLAR M6
35	2	423246	SKRUE M6X60	M6X60 SCREW
36	1	423247	INDSUGNINGSPAKNING	INLET GASKET
37	1	423248	INDSUGNINGSRØR	INLET PIPE
38	2	423171	SKRUE M5X25	M5X25 SCREW
39	1	423249	PAKNING	CARBURATOR GASKET
40	1	423250	KARBURATOR	CARBURATOR
41	1	423251	LUFTFILTERHUS	AIR FILTER ASSY
42	2	419005	SKIVE M5	WASHER M5
43	2	419006	FJEDERSKIVE M5	SPRING COLLAR M5
44	2	423168	SKRUE M5X60	M5X60 SCREW
45	1	423219	STARTTRISSE	STARTER CATCH PLATE
46	1	423220	PAKNING	STARTER GASKET
47	1	423221	SKÆRM	EASY-START STARTER

POS	QTY	PARTNUMBER	BESKRIVELSE	DESCRIPTION
48	1	423222	BESLAG	FUEL TANK HOLDING PLATE
49	1	423223	GUMMIPAKNING	HOLDING PLATE RUBBER GASKET
50	1	423252	MOTORDÆKSEL	ENGINE CASE COVER
51	1	423253	VARMESKJOLD	ENGINE CASE COVER Baffle
52	1	423225	TÆNDRØR BM6A	SPARK PLUG BM6A
53	1	423254	BRÆNDSTOFTANK	FUEL TANK ASSY
54	1	423132	SKRUE M5X16	M5X16 SCREW



POS	QTY	PARTNUMBER	BESKRIVELSE	DESCRIPTION
1	1	423188	HÅNDTAG BCU HØJRE	(UNSYMMETRICA)U TYPE HANDLE RIGHT PART
2	1	423189	HÅNDTAG BCU VENSTRE	U TYPE HANDLE LEFT PART
3	1	423186	SELE BCU	BCU_HARNESS_NEW
4	1	423187	STYRHOLDER KOMPLET	ADJUSTABLE KNOB(HANDLE SUPPORT)
5	1	419518	KROG	HOOK
6	1	419519	BÆREKROG	HOOK
7	3	419014	MØTRIK M5	NUT M5
8	5	419023	BOLT M5X20	BOLT M5X20
9	4	423185	SKRUE M6X30	M6X30 SCREW
10	1	419030	TRIMMERHOVED	TRIMMER HEAD
11	1	419029	3 TANDSKLINGE	BLADE
12	1	419015	VINKELGEAR	GEARBOX
13	1	423177	SKRUE M6X25	M6X25 SCREW
14	2	423140	SKRUE M5X30	M5X30 SCREW
15	2	423178	SKRUE SÆT M6X20	M6X20 SCREW SET
16	1	419021	KNIV	BRACKET
17-1	1	423181	SKÆRM	PROTECTION GUARD
17-2	2	423182	SKIVE	LONG GASKET
17-3	4	423183	SKRUE M5X16	M5X16 SCREW
17-4	1	419019	SKÆRM STØTTE	HOLDER
18	2	423184	SKRUE ST4.2X12-H-C	ST4.2X12-H-C SCREW
19	2	423176	SKRUE M5X12	M5X12 SCREW
20	1	423180	VINKELBESLAG	GUARD BLADE HOLDER
21	1	419513	RØR 26X760	TUBE 26X760
22	1	419012	FLEXAKSEL	FLEXIBLE AXLE
23	6	419002	BØSNING	BUSHING
24	6	419003	LEJE	BEARING
25	1	423227	KOBLINGSHUS	CONNECTER ASSY